



## MBS Hydraulik GmbH & Co. KG

Why the minimal design time with Inventor is also due to the use of the PDM system HELiOS

*“As far as hydraulic products are concerned, quality is synonymous with safety. Failure of materials or technology can have fatal consequences. MBS Hydraulik is aware of its responsibility. We pay the greatest attention to every single step, from consultation and planning to design and construction.” In order to fulfil the promise, which can be obtained from the homepage of MBS Hydraulik GmbH & Co. KG, the company from Lübbecke not only puts emphasis on high-performing 3D CAD Software but also works since 2016 with the multi-CAD compatible PDM solutions of the ISD Group from Dortmund: HELiOS.*

Different versions of hydraulic cylinders – for both stationary and mobile use in vehicles, cranes and working

platforms– as well as hydraulic control components are part of the current product portfolio of the 1986 incorporated company. “Due to many clients and their different demands we offer incredible component diversity.



# REFERENCE REPORT



Picture ©  
MBS Hydraulik GmbH & Co. KG

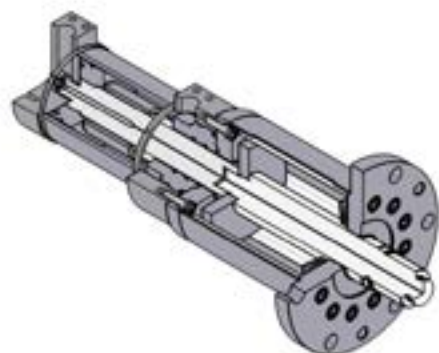
It is a challenge for the 70 of our staff members and five constructors”, stated Kai Ellerbrock, the reference person for licenses at MBS. “The data structures in general, especially in the construction have been quite unstructured. Peculiarities of products complicate day-to-day-business if they are not only subject to change because of clients and suppliers but also managed by internal, undocumented agreements. It was difficult to reproduce the development history of a product. Furthermore, a key place needed to be established in order to manage the product data”, by which he reasons his decision for a PDM system. “I concerned myself two to three years with PDM/PLM. After three to four months, the choice fell on HELiOS at a specified date but not without consulting the colleagues who benefit most of HELiOS. Amongst others also colleagues responsible for the entry of master data who avoid typing errors due to the use of HELiOS and thus make sure project and data safety”, he explains further.

### **HELiOS – for clear structures in construction**

With regards to the compatibility of construction and production, concerns could be dispelled and doubts due to inventory data transfer could be resolved according to Kai Ellerbrock. In connection with the drawing creation of Inventor, HELiOS as a multi-CAD compatible

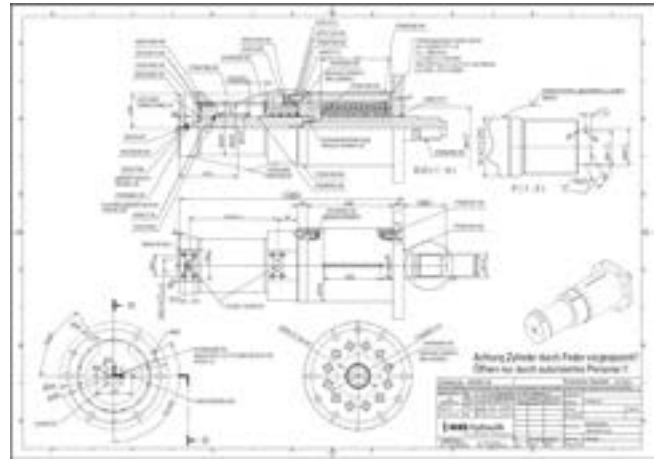
system with interfaces to relevant M-CAD and E-CAD systems supports the company with many features – for instance by a redundance-free data administration. “All of our Inventor data is being created and managed as HELiOS documents with own article master from HELiOS article management. The connection via interface happens automatically”, Kai Ellerbrock clarifies.

He draws a positive summary out of the derivation of parts and assemblies, the creation of bill of materials tailored to the needs of each product and the option to transfer the amount and structure of a drawing or an assembly out of a CAD part structure: “The derivation and subsequent change of cylinders has become significantly easier and more convenient. The saving of time can immediately be used for other tasks due to the use of HELiOS – for key processes.” He further pointed out: “By introducing HELiOS, the construction is well structured, even if the effects are not strongly pronounced. This follows from the fact that we still are in the introductory phase.” Equally to this, the more intensive use of workflows is a pilot project.





Bilder © MBS Hydraulik GmbH & Co. KG



### HELiOS – faultless planning of resources

In addition to its multi-CAD capability, the multi-ERP capability of HELiOS should not be underestimated either: It has got standardized interfaces to all common ERP systems – for instance, to the ERP system Navision from which MBS Hydraulik benefits. After all, the PDM system of Dortmund's ISD Group was also implemented in order to provide construction data being represented accurately due to the management with HELiOS. Based on the ERP system, the working plan, CNC programs etc. are established. The data must be available in its current form – which is possible due to HELiOS" confirms Kai Ellerbrock.

### HELiOS – for high service mentality „Made in Germany“

The final decision for HELiOS is not only due to its ERP or Inventor capability or its fluent construction processes. Kai Ellerbrock praises especially the cooperation

with the ISD Group as a German developer who provides good German support. "We feel understood by ISD and share a common view with regards to mentality. The big winning point for HELiOS with respect to Autodesk Vault is not only the better functioning index management but also that it comes from a German developer."

### Outlook: HELiOS potentials

Advanced courses are being considered in the next half year, Kai Ellerbrock reveals. "For that users learn further tricks to grasp HELiOS and reproduce the mindset of the instructors." The potential of the PDM solution HELiOS would be present in an accelerated extern connection: "The implementation of specifications has been fulfilled. Update tools could be integrated for mass updates as well as password-protected administration tools", he finally suggests.



*„The saved time can immediately be used for other tasks due to HELiOS – for key processes.*

*We especially save time when entering master data, as it is directly attached to the item, so that there is need of entering the data again for reuse. Due to the minimization of typing errors, you also save time- thanks to HELiOS.“*

*Kai Ellerbrock, Programmer, MBS Hydraulik GmbH & Co. KG*

Surely, this is not an unsolvable task for an innovative German company such as ISD Group – successfully established in the market since 40 years and supported by 320 staff members in ten national and international facilities.

**Soon:**

MBS Hydraulik GmbH & Co. KG

Industry: Engineering, Special machine construction

Software: HELIOS, Inventor, Navision

Services: Engineering, production and development of hydraulic cylinders and hydraulic control components

[www.mbshydraulik.de](http://www.mbshydraulik.de)

- >
- >
- >
- >
- >



## Success needs a strong partner.

Convince yourself of our solutions. We would be pleased to show you further advantages in a personal presentation or rather offer a free consultation appointment. Simply contact us. We are at your service.

**ISD Software und Systeme GmbH**

Tel.: +49-(0)231-9793-0

Mail: [info@isdgroup.de](mailto:info@isdgroup.de)

Web: [www.isdgroup.com](http://www.isdgroup.com)

